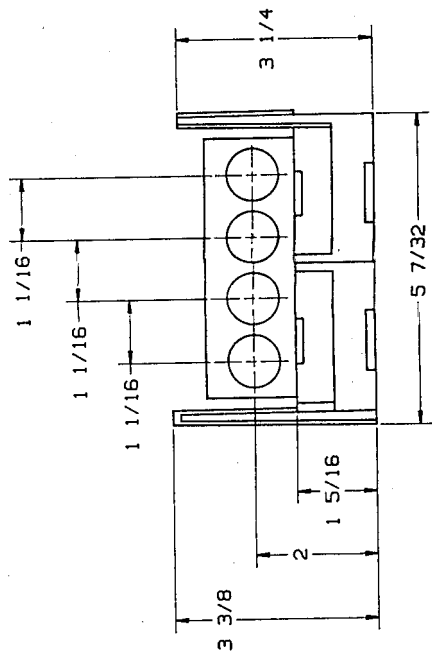
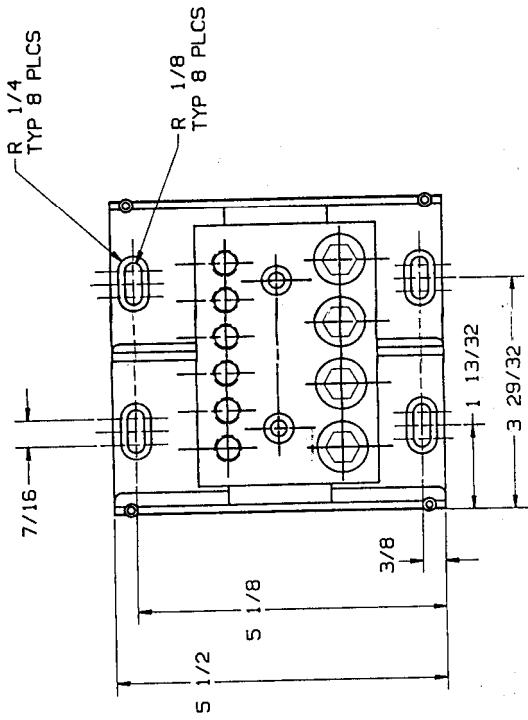


REV	DESCRIPTION	DATE	APPD
0	RELEASED	7/24/77	777



REFERENCE

MAR 16 1992

P/N 900121
800121

NOTES: UNLESS OTHERWISE SPECIFIED - ALL DIMENSIONS ARE IN INCHES - SURFACE FINISH: 32 RMS - TOLERANCES: XXXX.0005, XXXX.0001, XXXX.0001, XXXX.0001, XXXX.0001, XXXX.0001, XXXX.0001, XXXX.0001 - FRACTIONS: 1/32		MATERIAL FINISH DATE SIGNATURE CHECKED ENGR APPR USED FOR DATE		GOULD SHAWMUT GOULD SHAWMUT PAROLE PALLET, TX 78854 PRODUCT TITLE PDB, (4) 500 MCH-#4 X (6) 270-#12 1 POLE PC 600V CU-AL DWG NO REV 05C0267 1/1 00 1 of 1	
--	--	--	--	---	--